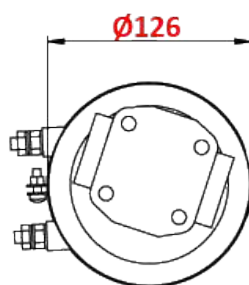
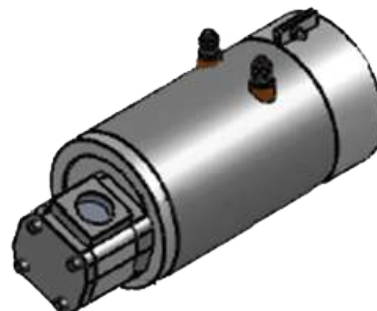
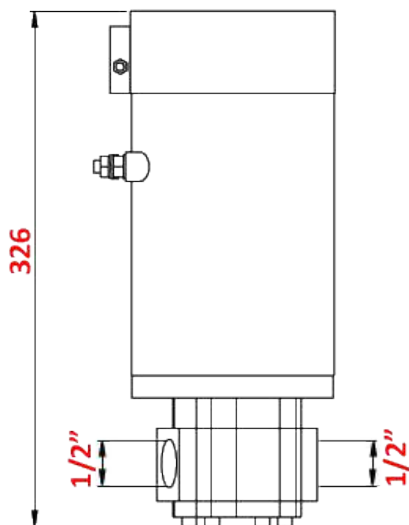
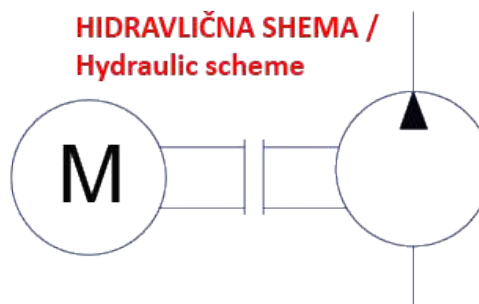


[mm]



HIDRAVLIČNA SHEMA /
Hydraulic scheme



Šifra / Code		13940
Pretok črpalke / Pump flow	[cc]	5,8
Pretok agregata / Power-pack flow	[l/min]	19
Moč el. motorja / El. motor power	[kW]	3
Hitrost / Speed	[rpm]	3300
Max. tlak / Max. pressure	[Bar]	75
Napetost / Voltage	[V]	12V
Navoji / Threads	["]	1/2"